



# Installation guide

3/4" (19 mm) **SOLID**



**MERCIER**

wood flooring

It is important to read the installation instructions, Maintenance guide and the 35/5 Warranty document prior to installation. **An installation that does not respect the instructions may void your warranty.**

For any questions about the installation process, please contact your authorized Mercier retailer, or contact Mercier's technical department at **1-866-448-1785**.

## Product description

The Solid wood boards including the finishing stages, such as sanding and the finishing, are entirely factory performed under ideal conditions. These pre-varnished boards are ready to be used immediately following their installation. Each board consists entirely of 3/4" thick solid wood; there is, therefore, no gluing or laminating required.

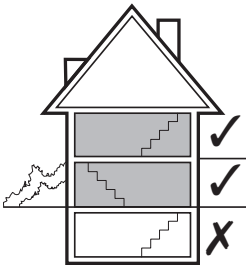
### Recommended use

- |                         |     |
|-------------------------|-----|
| • 1 <sup>st</sup> floor | Yes |
| • Ground floor          | Yes |
| • Basement              | No  |

**3/4" Solid products are not recommended for installation on a floor equipped with a radiant heating system.**

## Recommended material and tools

1. Vacuum cleaner or broom
2. Pneumatic or manual nailer for hardwood
  - "L" or "T" nails or "U" shaped staples
  - 15 to 17 ga
  - 1 1/2" (38 mm) or longer
  - Remplacer par Refer to Technical bulletin #9 for more details.
3. Levelling product or sander (if needed)
4. Level
5. Moisture meter for wood and/or concrete
6. 15 lb. felt or wax paper
7. Measuring tape
8. Chalk line



9. Square
10. Miter-box saw
11. Table saw
12. Tapping block
13. Handsaw
14. Drill and 3/32" drill bit
15. Hammer, spiral finishing nails and nail punch
16. Mercier Touch up kit
17. Mercier Maintenance kit

This is not an exhaustive list of installation tools that could be required. Please note that Mercier Wood Flooring is not responsible for damage caused by tools or inappropriate use of materials.

## Owner and installer responsibility

Prior to laying the floor, the installer and the owner must make sure that the installation site and subfloor comply with the conditions specified in this document. The installer and the buyer have the responsibility to inspect the wood boards prior to their installation. Mercier products meet stringent quality standards and comply with the standards in force in the wood flooring industry. These allow a rate of imperfection not exceeding 5% of the quantity of the purchased boards. This rate includes both the natural imperfections of the wood, manufacturing defects and selection of the grade.

**If the installer doubts the grade selection, the manufacturing or finishing quality and cannot place the board in a less conspicuous place, nor eliminate imperfection, he/she should not install it. Once the board is installed, it shall be considered as having been accepted by the installer and the owner, even if the latter is absent at the time of installation.**

According to the site and the type of installation<sup>1</sup>, control of the hardwood boards should provide 3 to 5% additional covering to compensate for the loss caused by the cuts. Mercier will only replace products with a defect rate exceeding the acceptable 5% rate (excluding the 3 to 5% cutting loss). **Mercier cannot be held liable for improper installation of its products or poor judgment by the installer. Mercier assumes no labour or installation charges.**

## Warranty

### Limited lifetime structural warranty

#### 35-year warranty on Mercier Generations GREENGUARD certified finish

The manufacturer “Mercier Wood Flooring” warrants to the original purchaser that the GREENGUARD certified Mercier Generations will resist complete wear<sup>2</sup> and peeling from the surface for a period of:

- 35 years from the date of purchase for normal residential use.
- 5 years from the date of purchase for light commercial use.

## Preparation of the installation site

Hardwood floor installation should be the very last step in your project. Before the flooring boards are delivered, inspect the installation site to make sure that:

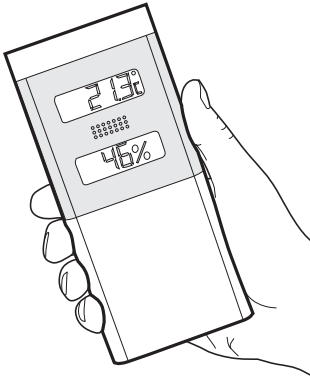
- The concrete, plaster, paint and the subfloor are completely dry.
- Heating, ventilation or air conditioning systems are functional and running.

<sup>1</sup> Installation at angle generates more significant cut losses, reaching 7-9%.

<sup>2</sup> Wear must be obvious and represent at least 10% of the total floor area. Refer to the Mercier 35/5 Warranty document for more information.

- The building is kept within normal ambient conditions for at least one (1) week prior to floor laying, at a temperature of about 20° C (68° F) and a relative humidity of about 45%.
- The floor of the crawl space (if any) is completely coated with a 6 to 8 mil black polyethylene film.

**The installer must check the humidity of the subfloor (plywood or OSB) at various locations using a moisture meter for wood. The moisture content of the subfloor must never exceed 12% and the gap between the subfloor and the wood boards must not exceed more than 4% of the rate of internal moisture of the boards which is from 6% to 9%. If the humidity of the subfloor or the gap between the floor and the subfloor is too high, heat, ventilate and dehumidify the site and delay the delivery and installation of the floor. For 4" wide boards and greater, the gap between the subfloor and the wood boards must not exceed more than 2% internal humidity of boards.**



## Acclimation

**Once the ideal conditions have been obtained...**

Bring the boxes of floor boards onto the installation site. Verify that the product is consistent in terms of species, grade, colour, size and quality. If all is compliant, let the wood acclimate for a minimum period of 48 hours prior to installation. Never store boxes of floor boards in an unsuitable location such as a shed, an unheated garage or basement. Please notify your dealer immediately if there is a problem.

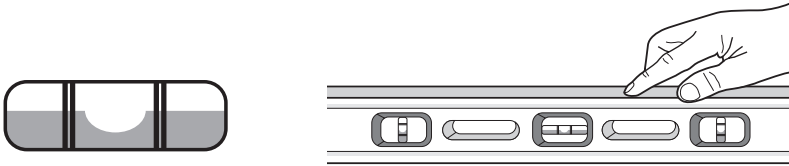
## Preparation and correction of the subfloor

- The subfloor must be structurally sound and securely fastened to the joists with floor screws to avoid any movement of the plywood panels, which could lead to cracks.
- Recommended subfloors:

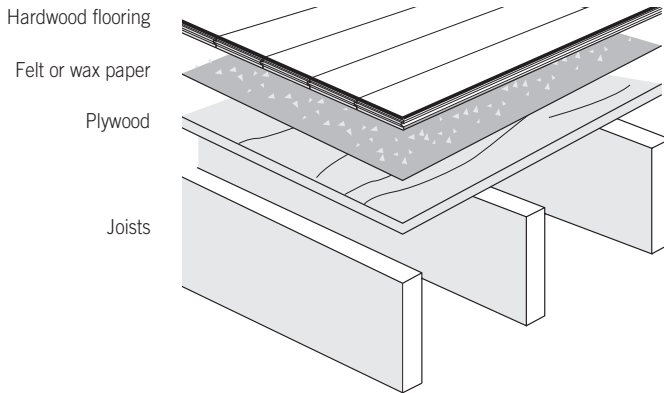
3/4" (19 mm) plywood panels or board-oriented panels (OSB) for spaced joists to at most 19,2" (488 mm), center to center.

Plywood panels of, at least, 5/8" (16 mm) for spaced joists to at most 16" (406 mm), center to center.

- The surface must be level. Rectify minor irregularities on the surface using a sander or a floor leveler (allow the leveler to completely dry before starting installation of the wood floor).

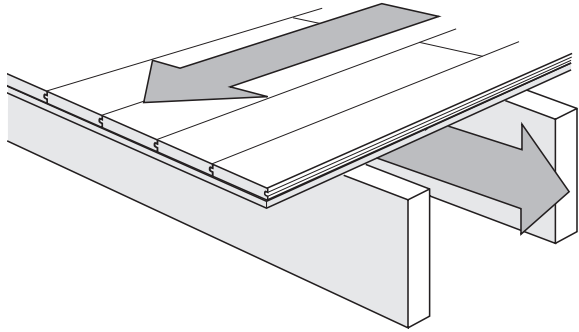


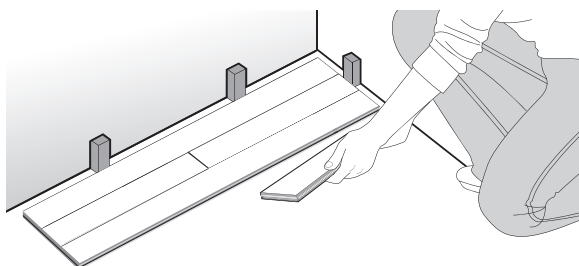
- **The subfloor must not present an elevation gain of more than 3/16" (5 mm) over a distance of 6' (1,8 m), or 1/4" (6 mm) over a distance of 10' (3 m).**
- The surface must be clean. Eliminate deposits of glue, staples and drive in the visible nails.
- Remove debris and dust with a vacuum cleaner.
- It is recommended to install 15 lb. felt paper or wax paper over the entire surface of the subfloor.



## Recommended method to install boards

- Select boards from at least 3 boxes at a time to ensure uniformity of installation.
- Use a protective surface to place tools and the floor nailer.
- **Frequently vacuum** during installation to remove sawdust and abrasives.
- Install the boards perpendicularly (90°) or at an angle of 45° to the floor joists.





## Installation

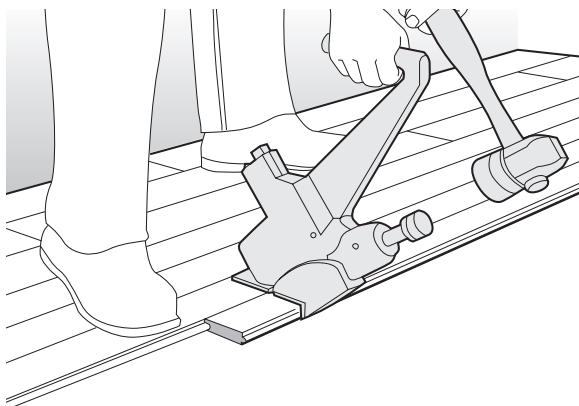
### Nailed or stapled installation ONLY

#### Start line

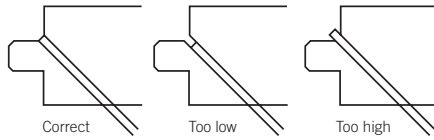
- Using the chalkline, make a line parallel to the starting wall at a distance of  $3/4$ " (19 mm) more than the width of the floorboard. (For example, 4" (102 mm) for a  $3\ 1/4$ " (83 mm) floorboard.)
- Use spacer blocks or shims between the floor boards and the wall to achieve the required expansion gap. The expansion gap is required to allow wood to react to changes in humidity.

#### Board installation

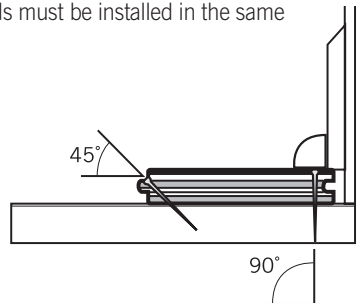
- Install the first board along the starting line with the tongue towards you and the groove facing the starting wall.
- Be sure to be straight and square.

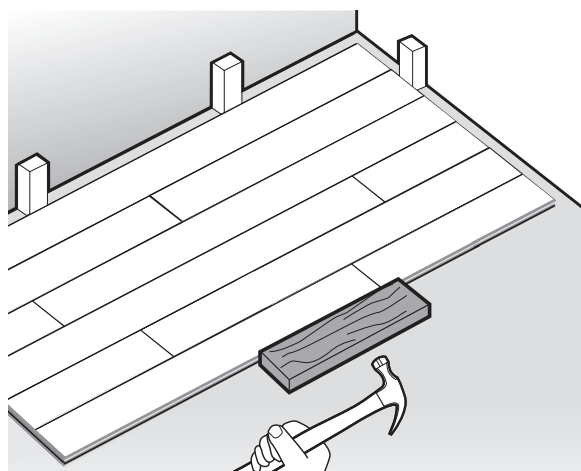






- Always keep an expansion gap of 1/4 " (6 mm) at each end of the rows;
- According to the nailer used, two rows or more will need to be nailed by hand, until you have enough space to use the nailer.
- In the following rows, use a pneumatic nailer. The boards must be nailed at every 8" (203 mm) and 2" (51 mm) from the ends of the boards. Each board must be secured with at least 2 nails. Do not nail 2" (51 mm) of the end to avoid breaking the tongue. Read Technical bulletin #9 for more details.
- Monitor the pressure of the compressor to make sure that the tongues are not damaged.
- The fasteners should go in at a 45-degree angle.
- Prior to start the installation, check the nailer for the appropriate fit; practice handling the nailer on a scrap board.
- Regularly clean and inspect the shoe under the nailer so it does not damage the varnished surface.
- Use of a hammer and tapping block may be necessary to engage the boards into each other. NEVER use the hammer or other hammering tool directly on the boards.
- The last board of a row will have to be cut. The remaining portion (allow a minimum of 6" length) will be used to start the next row.
- The last rows of boards must be installed in the same way as the first.





- It is possible that you need to cut the last row in the direction of the length to allow for an expansion gap of 3/4".

#### **Cabin Pine series**

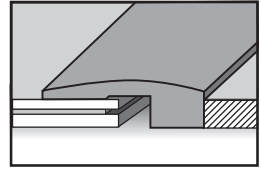
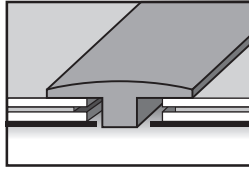
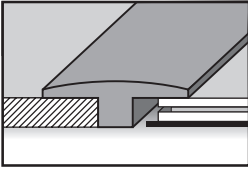
For best results, Mercier Wood Flooring recommends using staples for its *Cabin Pine series*. Staples must be positioned at 6" (152 mm) to 8" (203 mm) with two staples on the first six inches.

In order to improve the stability of the product, apply a urethane-based adhesive on the subfloor before nailing, in accordance with the instructions given at page 2 of the Technical bulletin #9, available on Mercier's website.

## **WARNING!**

### **Split or broken tongues can cause cracking noises.**

Some harder wood species, such as exotic species, require greater attention to the settings of the compressor pressure.



## Specific circumstances

### Transition moldings

As part of your installation, you may have to install stair nosing, T-moldings, quarter-rounds and reducers. These moldings are offered in the same colours and species as your Mercier floor, and are available at your authorized Mercier retailer. These moldings should be ordered at the same time as your hardwood floor.

**Prior to the flooring installation, it is recommended to select boards which combine well with moldings to avoid “breaks” in the appearance of the floor.**

### WARNING!

It is suggested to pre-drill moldings to avoid cracking them when they are nailed.

If you install moldings, such as baseboards or quarter-rounds, these should be affixed to the wall and not to the wood floor, to allow for the movement of the floor.

Always observe the recommended space for expansion gaps.

### Inspection, finishing and maintenance

Once the installation is complete, vacuum the floor and clean the surface using Mercier Maintenance kit according to instructions. NEVER wash a hardwood floor with water.

You can hide small holes and marks left by the surface nails with a Mercier Touch-up kit. Refer to Technical bulletin #7 for more details.



**MERCIER**

wood flooring

mercierwoodflooring.com 1.866.448.1785